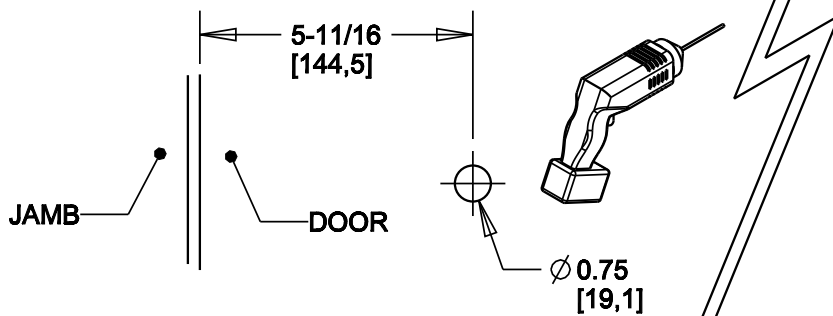


# KASON Industries, Inc

## 0056 Latch Installation Instructions

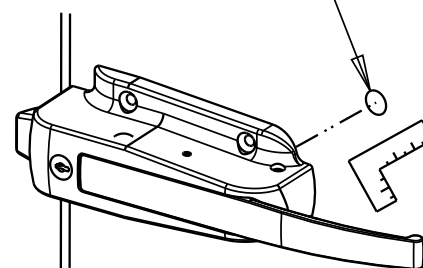
For Safe operation use KASON ISR's models:  
0480, 0483, 0481A, 0482A, 0486A, 0487A, 0489A, 0481SA

**⚠ See Inside Release (ISR) Instructions for more details**

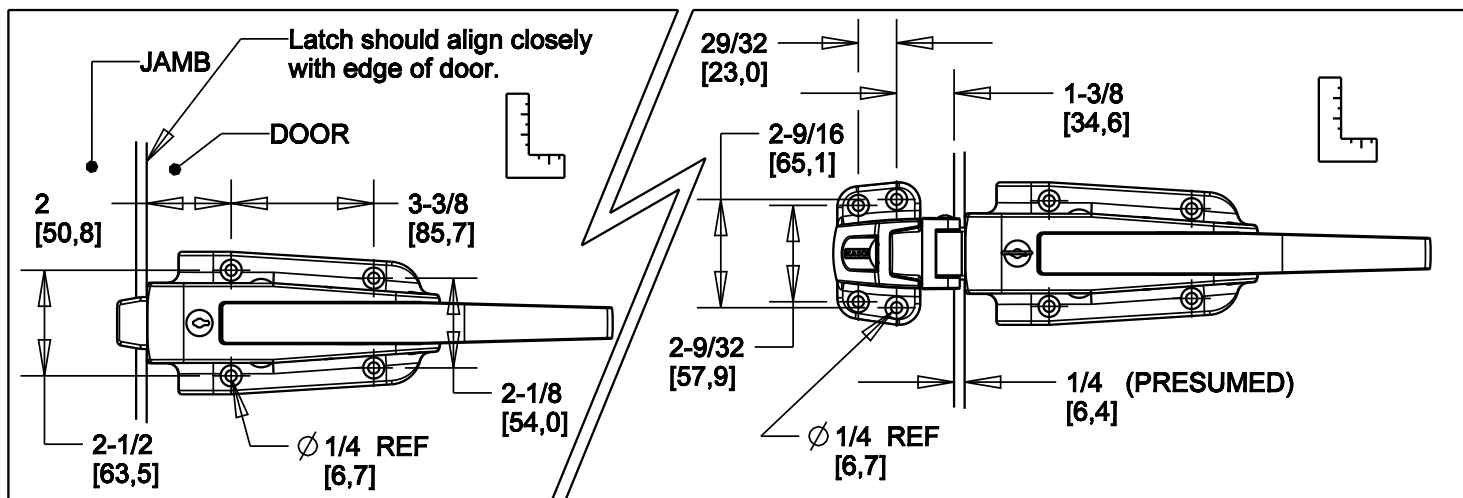


### 0056 Series Latch

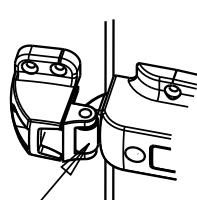
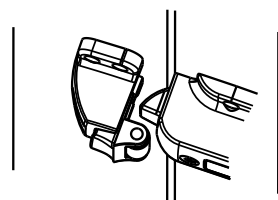
Align backplate feature with ISR hole



**Ø 1/4 (6mm) Mounting fasteners not provided**

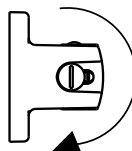


### 0056 Series Strike

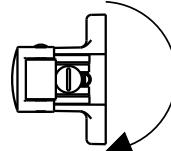


ADJUST TO MAKE CONTACT

TIGHTEN  
OUTSIDE  
SCREW



TIGHTEN  
INSIDE  
SCREW



Light Spring,  
Cylinder Model  
10056CL5020 Polished Chrome

Light Spring,  
Non-Cylinder Model  
10056L05020 Polished Chrome

Strike	Offset
10056005002	1/8 Below - 1/4 Above
10056005003	3/4 - 1-1/2
10056005005	1-3/4 - 2-1/2
10056005008	3" - 4"

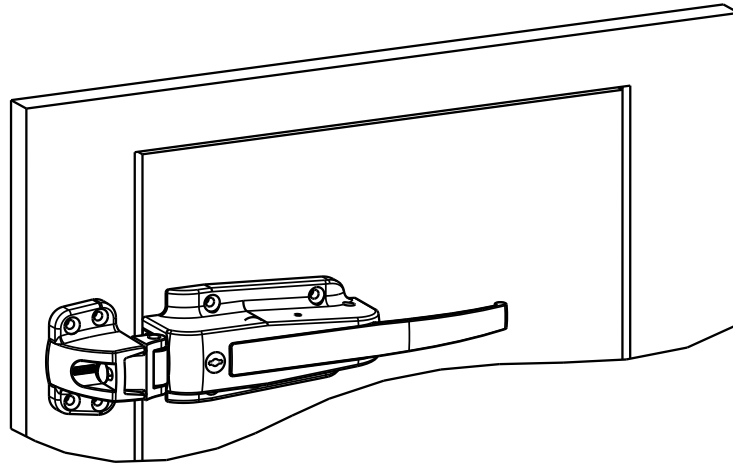
Above Models for Chrome finish.  
Other finishes, springs available.

**⚠ WARNING**

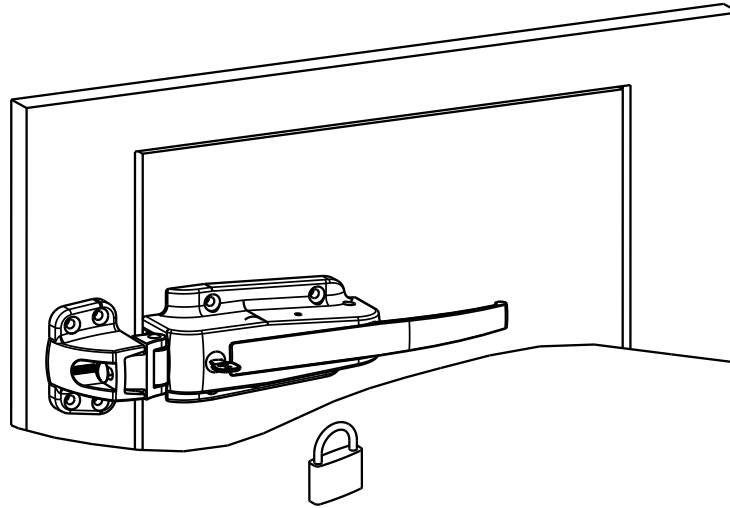
This item may contain chemicals known to cause cancer or reproductive harm in the State of California.

# LOCKING OPERATION

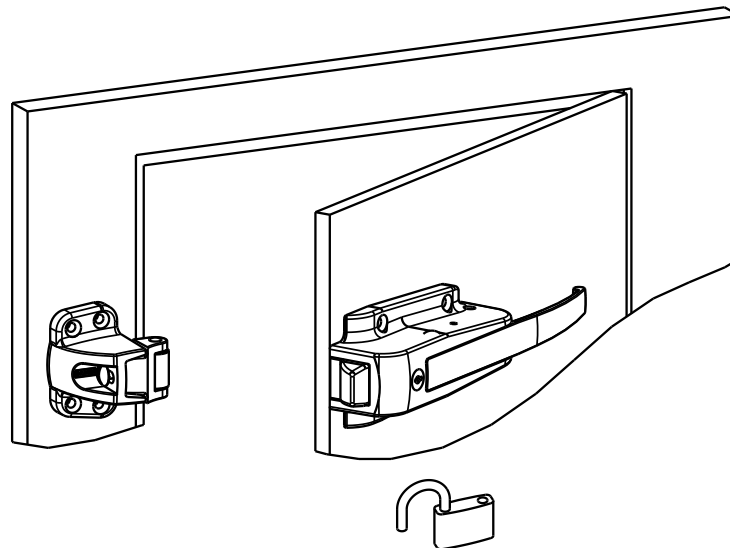
1. CLOSE DOOR



2. LOCK LATCH



3. UNLOCK LATCH  
4. OPEN DOOR  
5. LEAVE THE LATCH UNLOCKED



**WARNING**

DO NOT LOCK THE LATCH WHEN CLOSING THE DOOR