

NERGECO R LABO 5



TECHNICAL DATA

MAXIMUM SIZE

4.000 mm W x 4.500 mm H

SPEED (standard door, depending on curtain dimensions)

Opening: up to 1 m/s
Closing: up to 1 m/s

CURTAIN

900 g/m² PVC (optional 670 g/m² if no Intelligent Curtain, available up to 3.000 mm W x 3.500 mm H). Stiffeners every 750 mm (500 mm optional)

STRUCTURE

Patented multi-composite structure
(side guides, fixing junction brackets, rolling rod, closed crossbeam cover)

ENGINE

Three-phase engine from 0,55 to 1,1 kW (depending on size and selected options)
Protected under a PUR RIM cover, access from the side

CONTROL BOX

Electronic Nergesco PCB control panel, optional Crouzet PLC
Distance panel up to 2 m, optionally longer
Polyester IP65 rounded Nergesco control box (option mounted on side guide) or IP66 500 x 400 mm, depending on configuration
Optional box 500 x 400 in steel IP66 or stainless steel IP67

SAFETY

Intelligent Curtain® with spiral cable, wireless transmission optional and 1 set transversal photocells, MOFT/MOFR IP67 at 280 mmH
Optional without Intelligent Curtain®:
Inside EU: curtain of 670 g/m² 1 set of photocells - speed 1 m/s
Outside EU: 2 sets of photocells - speed 1 m/s

POWERLESS OPENING

Ratchet
Optional: Crank handle - Manual or automatic counterbalance weight - Inverter + UPS

ACTIVATORS

Push buttons (option wireless) - pull cords (option wireless or on bracket) - magic switch - radar - radio transmitter/receiver - induction loop - detection photocells

POWER

400V three-phase - 50 Hz - differential circuit breaker 300 mA
Optional: 230V three-phase - 50Hz / 230V single-phase - 50 Hz (with frequency drive) / 440V three-phase / 60 HZ frequency

CURTAIN COLOURS (similar to - colour sample on demand)

Standard

WHITE RAL 9010

Optional

	YELLOW RAL 1021		DUST GREY RAL 7037
	ORANGE RAL 2008		BROWN RAL 8017
	RED RAL 3002		BEIGE RAL 1014
	DARK BLUE RAL 5010		LIGHT BLUE RAL 5015
	DARK GREEN RAL 6026		LIGHT GREEN RAL 6018

WINDOWS

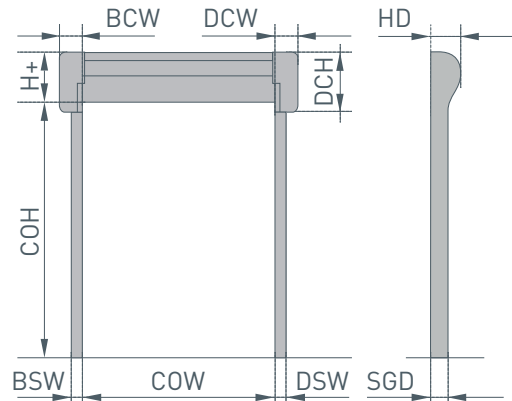
Option: Panoramic transparent windows: 1 row / 2 rows / fully transparent

STRUCTURE COLOUR

Light grey similar to RAL 9006

OTHER

Standard door resistant to 10 Pa.
Optional Pressure Sealing Kits for D20 and D40



LAYOUT DIMENSIONS

	Ratchet Crank handle	CtBW
COW - clear opening width	1500 to 4000	
COH - clear opening height	1500 to 4000	
DSW - drive side guide width	100	100
BSW - bearing side guide width	100	200
DCW - drive cover width	340	
BCW - bearing cover width	260	
DCH - drive cover height	680	
HD - header depth	320	
SGD - side guide depth	145	185
H+ - head room above COH	500	

© Entrematic Group AB - 2018

Entrematic offers a comprehensive range of products for industrial, commercial, institutional and residential applications, including sectional doors, loading dock equipment, high-performance doors, residential garage doors, pedestrian doors, gates and barriers, and automation and operators. Built on nearly 200 years of accumulated expertise, Entrematic aims to be the most dynamic, innovative company in the entrance automation industry, and the best partner for dealers and installers. Our well-known brands include Normstahl, Dynaco, Ditec, EM and Nergesco.

Entrematic, Amarr, Kelly, Serco, Normstahl, Dynaco, Ditec, EM and Nergesco, as words and logotypes, are examples of trademarks owned by Entrematic Group AB or companies within the Entrematic Group.

The Nergesco products are protected by worldwide registered patents. As part of its policy of continuous product development, Entrematic Group NV reserves the right to change the characteristics of its products or components without prior notice.

Disclaimers:

For a correct use of our products, please refer to our manual. Everything that is mentioned in this brochure is only valid under the terms of use in the user manual and on condition that the door was properly installed and maintained and has not undergone abuse nor neglect.

NERGECO DEALER



AceDoor Systems 2013 Ltd

A: 43a Hobill Ave, Wiri

Auckland, 2104

P: 09 273 4970

E: sales@acedoors.co.nz

W: www.acedoors.co.nz

ENTREMATIC BELGIUM NV
Waverstraat 21
B-9310 Moorsel-Aalst (Belgium)
Tel. +32 53 72 98 98
Fax. +32 53 72 98 50
info.nergesco.eu@entrematic.com
www.nergesco.com

