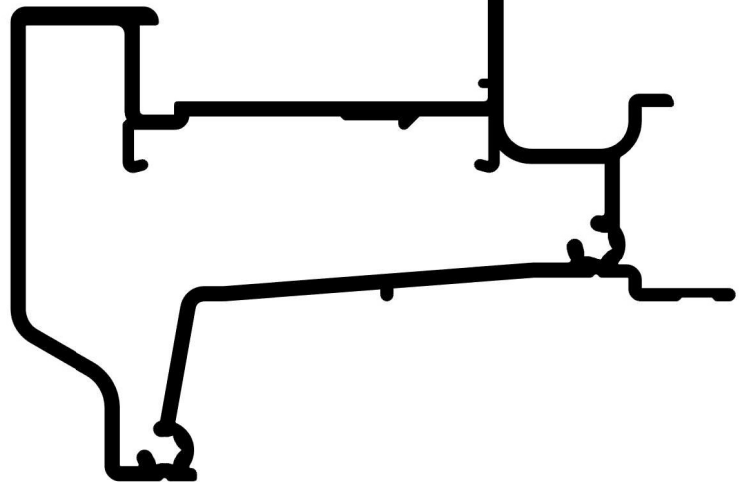
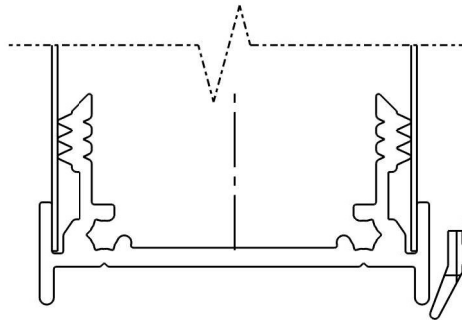


VIEW ON A-A



DRAWN BY	WGP
DATE	22/05/2017
DRAWING	PA-002-01
REVISION	1
PRODUCT CODE	PA2008

PA DOOR OPEN OUT HEIGHT FRAME DETAIL