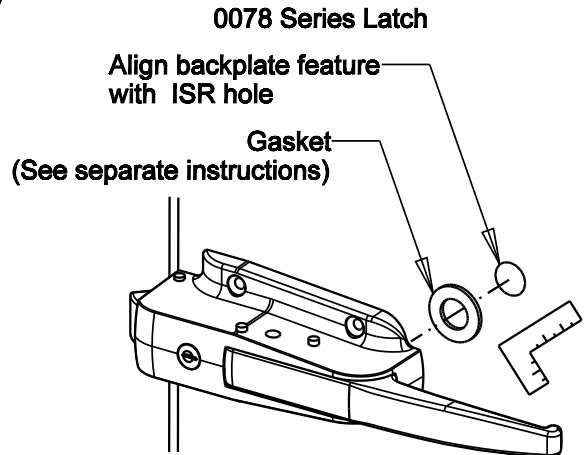
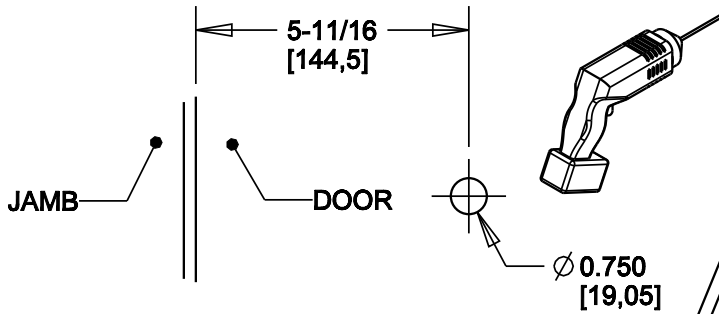


KASON Industries, Inc

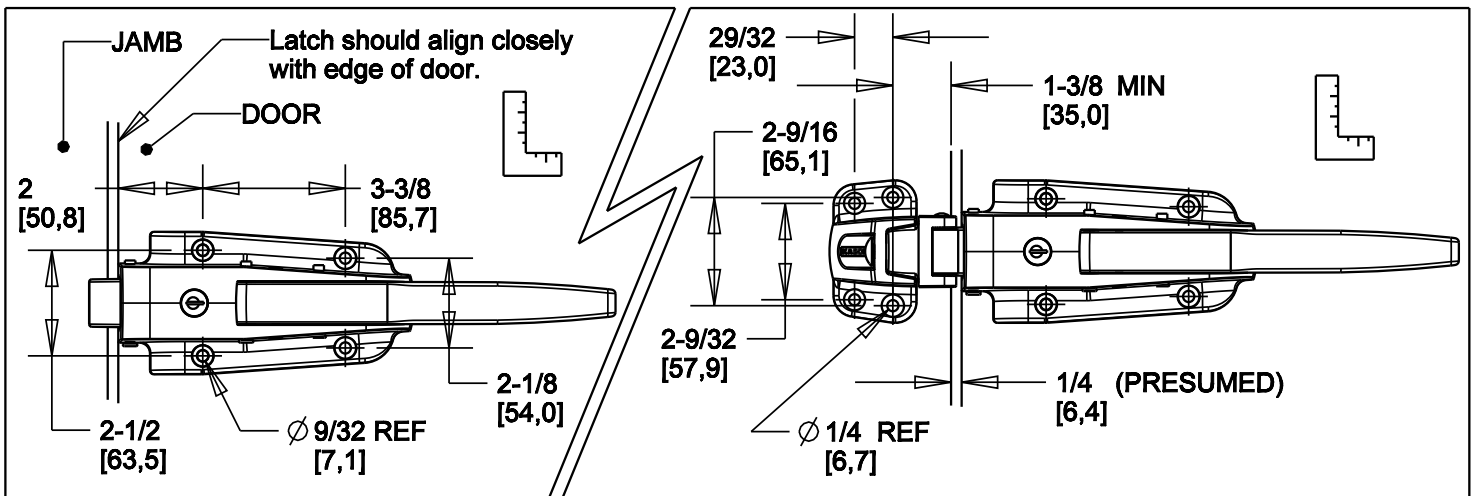
0078 Radial Tongue Latch Installation Instructions

For Safe operation use KASON ISR's models:
0481C, 0481SC, 0482C, 0486C, 0487C, 0489C

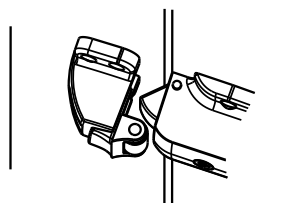
⚠ See Inside Release (ISR) Instructions for more details



Ø 1/4 (6mm) Mounting fasteners not provided

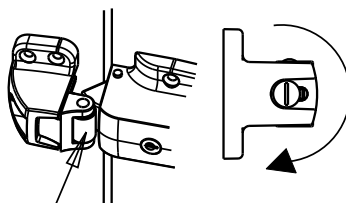


0056 Series Strike



TIGHTEN
OUTSIDE
SCREW

TIGHTEN
INSIDE
SCREW



ADJUST TO
MAKE CONTACT

Light Spring,
Cylinder Model
10078CL5020 Polished Chrome

Light Spring,
Non-Cylinder Model
10078L05020 Polished Chrome

| Strike | Offset |
|-------------|-----------------------|
| 10056005002 | 1/8 Below - 1/4 Above |
| 10056005003 | 3/4 - 1-1/2 |
| 10056005005 | 1-3/4 - 2-1/2 |
| 10056005008 | 3" - 4" |

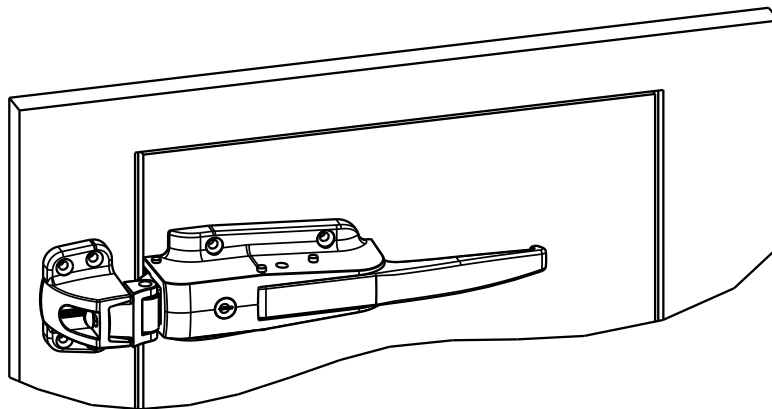
Above Models for Chrome finish.
Other finishes, springs available.

⚠ WARNING

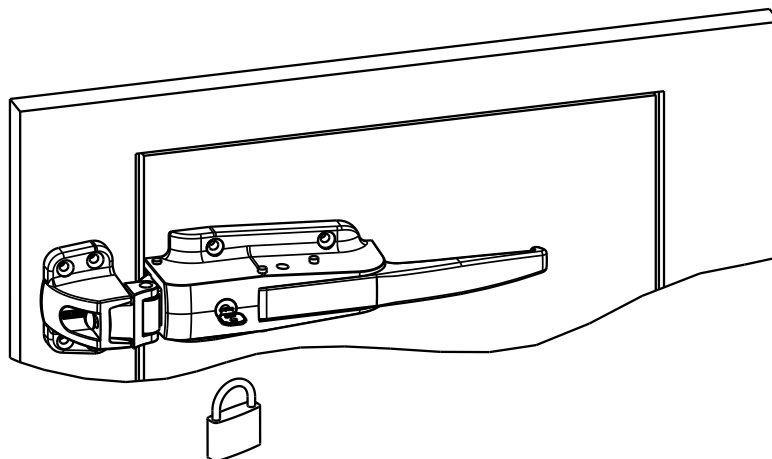
This item may contain chemicals known to cause cancer or reproductive harm in the State of California.

LOCKING OPERATION

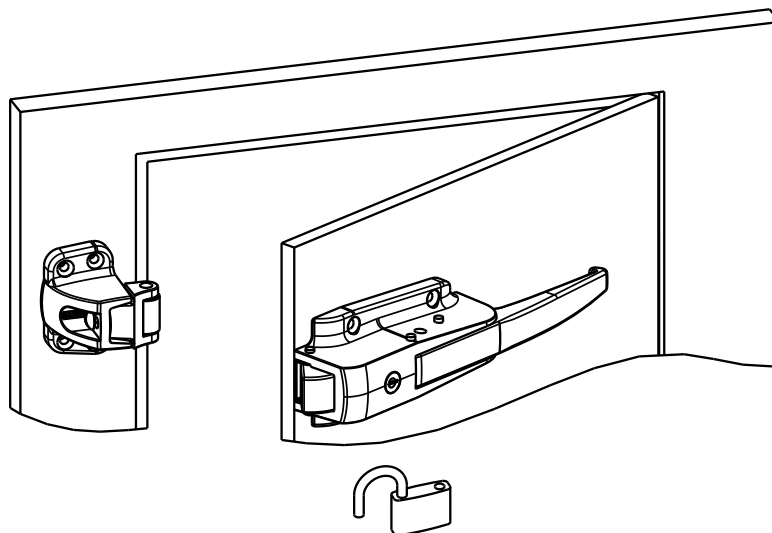
1. CLOSE DOOR



2. LOCK LATCH



3. UNLOCK LATCH
4. OPEN DOOR
5. LEAVE THE LATCH UNLOCKED



WARNING

DO NOT LOCK THE LATCH WHEN CLOSING THE DOOR