



ITEM # 1248



®

U.S. Trademark: 2,415,070



ITEM # 1249

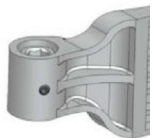


®

U.S. Trademark: 2,415,066

SPRING ASSISTED HINGES

- Spring mechanism adds extra closing force to overcome air resistance on heavy walk-in doors.
- Special high-lift cam system outperforms similar spring hinges.
- Cam-rise action reduces gasket wear, even with irregular floors.
- Built-in dwell holds door open beyond 120°.
- Simple manual operation reverses hinges for use on right- or left-opening door.



Optional set screw at back of strap to prevent lift off of door.

SPECIFICATIONS

MATERIAL:
High pressure die-cast zinc with self-lubricating nylon cam

FINISH:
See table to right.
Powder coat also available

PACKAGING:
6 each

MOUNTING:
Drilled and countersunk for 1/4" (6.0mm) flat head screws.

LOAD RATING:
See Hinge Selector Chart, Page B24, Group D

OPTION:
Also available in non-lift off and non-spring models. Not recommended to use 1248 spring loaded with 1245 non-spring loaded hinges

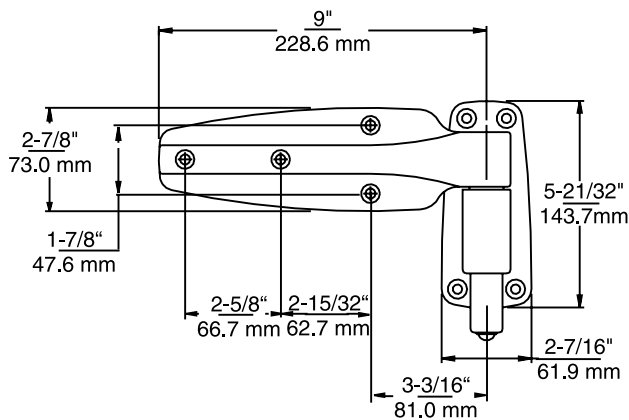
WEIGHT:
1248: Approx. 19.5 lb. (8.85kg) per carton
1249: Approx. 13 lb. (5.9kg) per carton

CONTINUED ON FOLLOWING PAGE

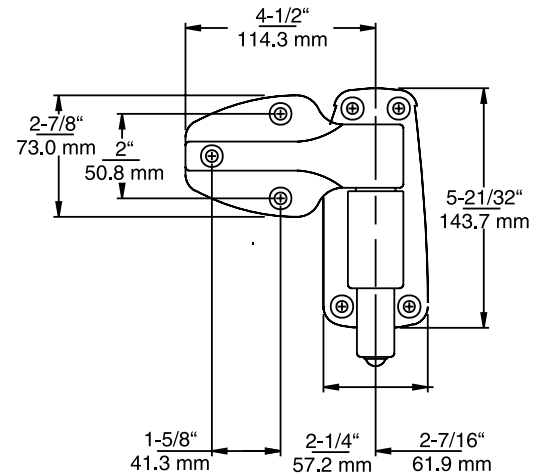
KASON CAM-RISE SPRING HINGES

CONTINUED FROM PREVIOUS PAGE

1248



1249



Model No.	Item	Offset	Finish	Non-Lift Off No.	Non-Spring No.
11248000004	Hinge	Flush (0.0 mm)	Polished Chrome	11248000006	11248000002
11248000016	Hinge	1-1/8" (28.6 mm)	Polished Chrome	n/a	n/a
11248000020	Hinge	1-1/4" (31.8 mm)	Polished Chrome	n/a	11248000019
11248000022	Hinge	1-1/2" (38.1 mm)	Polished Chrome	n/a	n/a
11248000024	Hinge	1-3/8" (34.9 mm)	Polished Chrome	n/a	11248000018
11248000025	Hinge	1-5/8" (41.3 mm)	Polished Chrome	n/a	n/a
11248000026	Hinge	1-3/4" (44.5 mm)	Polished Chrome	n/a	n/a
11248000027	Hinge	1-7/8" (47.6 mm)	Polished Chrome	n/a	11248000055
11248000028	Hinge	Flush (0.0 mm)	Brushed Chrome	11248000007	11248000029
11248000030	Hinge	2" (50.8 mm)	Polished Chrome	n/a	11248000080
11248000040	Hinge	1-1/8" (28.6 mm)	Brushed Chrome	n/a	n/a
11248000044	Hinge	1-1/4" (31.8 mm)	Brushed Chrome	n/a	n/a
11248000045	Hinge	1-1/2" (38.1 mm)	Brushed Chrome	n/a	11248000053
11248000048	Hinge	1-3/8" (34.9 mm)	Brushed Chrome	n/a	11248000039
11248000049	Hinge	1-5/8" (41.3 mm)	Brushed Chrome	n/a	11248000037
11248000050	Hinge	1-3/4" (44.5 mm)	Brushed Chrome	n/a	11248000054
11248000051	Hinge	1-7/8" (47.6 mm)	Brushed Chrome	n/a	n/a
11248000078	Hinge	2" (50.8 mm)	Brushed Chrome	n/a	n/a
11249000002	Hinge R.H.	Flush (0.0 mm)	Polished Chrome		
11249000003	Hinge L.H.	Flush (0.0 mm)	Polished Chrome		
11249000004	Hinge R.H.	Flush (0.0 mm)	Polished Chrome	11249000014	11249000024
11249000005	Hinge L.H.	Flush (0.0 mm)	Polished Chrome	11249000018	11249000025
11249000008	Hinge R.H.	1-1/8" (28.6 mm)	Polished Chrome		
11249000012	Hinge R.H.	1-1/4" (31.8 mm)	Polished Chrome		
11249000014	Hinge R.H.	Flush (0.0 mm)	Polished Chrome		
11249000015	Hinge L.H.	Flush (0.0 mm)	Polished Chrome		
11249000016	Hinge R.H.	Flush (0.0 mm)	Brushed Chrome		
11249000017	Hinge L.H.	Flush (0.0 mm)	Brushed Chrome		