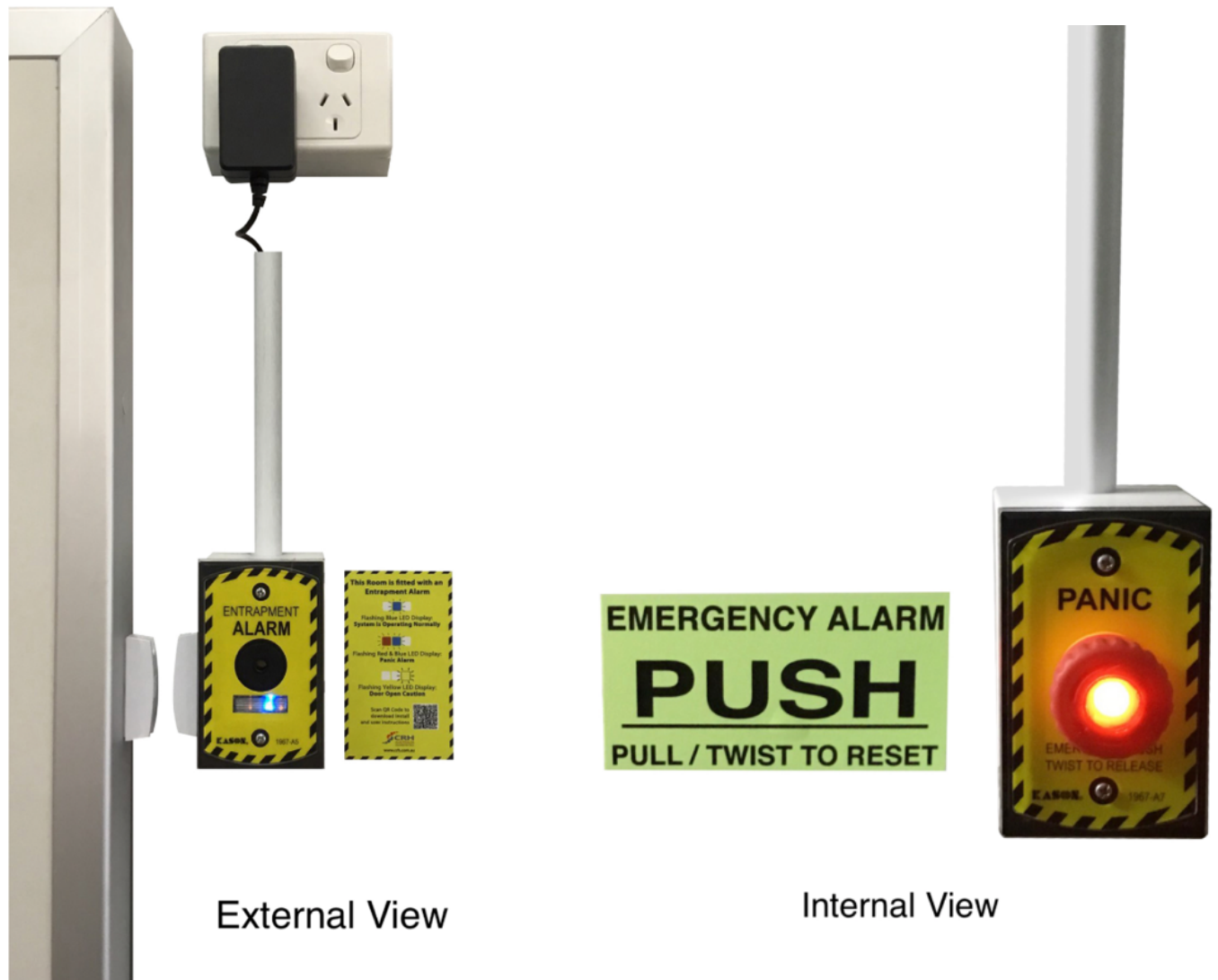




K1967-A57 Entrapment & Open Door Alarm

Installation Instructions

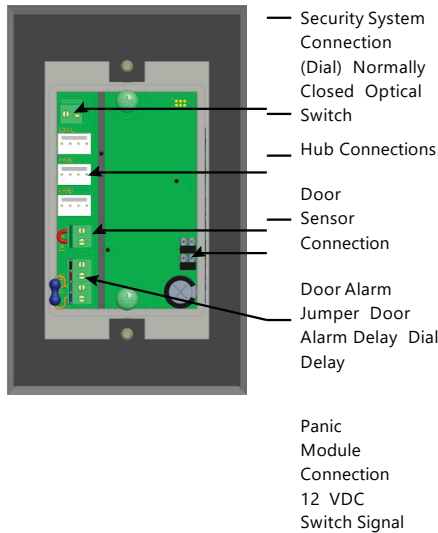


External View

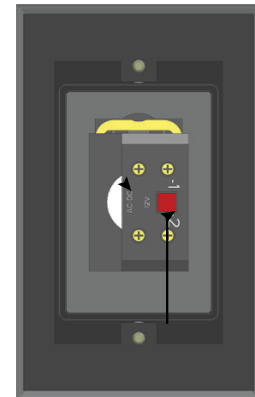
Internal View

K1967-A57 Entrapment & Open Door Alarm

Exterior Entrapment Alarm (K11967CRH0A5)



Interior Panic Alarm (K11967CRH0A7)



⚠ CAUTION

This product requires a qualified Electrician, If you intend to connect it to a monitored security system.

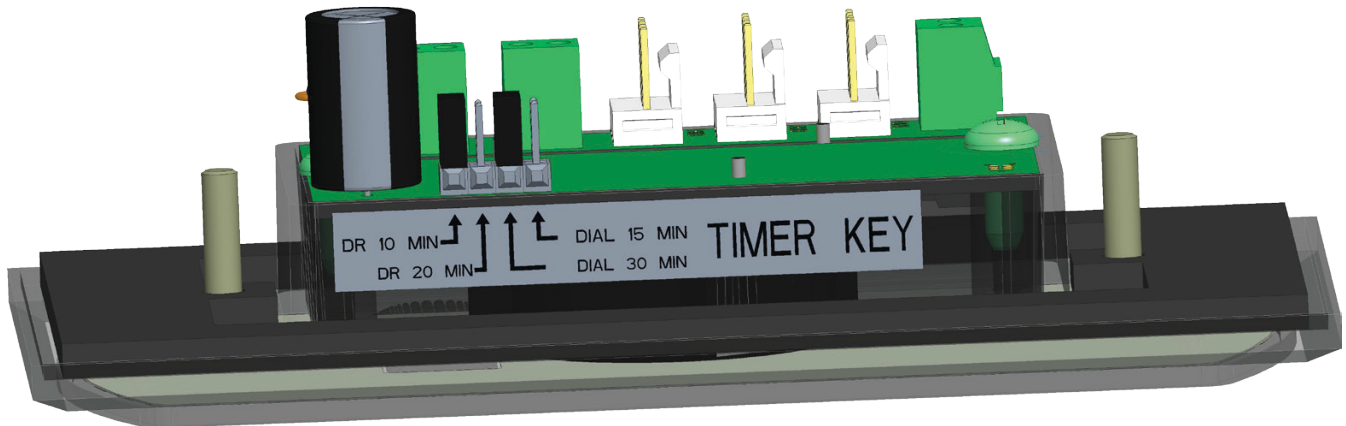
INSTALLATION

1. Install Single Utility flush boxes and conduit. (2X K1967-009 Boxes Provided)
2. Route K19670000946 power/battery cable into K11967CRH085 junction box, along with door sensor and cables from K11967CRH0A7.
3. Review wiring diagram and make all connections. (Page 5)
Note: When adding door sensor or panic module it is important to remove the resistor or wire jumper before adding the respective wiring.
4. Set jumpers per "Timer Key" settings.
5. Connect the 9 V battery. [DO NOT USE LITHIUM ION BATTERY]
6. Install module to handy box with two screws (provided).

K1967-A57 ALARM MODULE (PANIC, DOOR, POWER, SECURITY CONNECTION)

- Audible: 100+ dB siren: two tones, one for panic and one for door open
 - Door Open Alarm can sound siren: Off, Instantly, 10 min., 20 min.
 - Panic Alarm: Instantly, until the panic button is reset
- Visual LED Flashes: LEDs alternate to attract attention
 - Sequencing Blue LED is normal operation
 - Yellow Alarm: Instantly comes on when door is open
 - Red/Blue Panic Alarm: Instantly comes on when Panic button is pressed
- Dial Signal: allows a security system to monitor alarm event from units
 - Door Open Alarm (see timer settings): Off, Instantly, 15 min., 30 min.
 - Panic Alarm: Instant notification to security system. Dial connection goes from (NC) to open circuit

K1967-A57 Entrapment & Open Door Alarm



TIMER KEY DOOR OPEN ALARM SETTINGS

- Door Alarm Timer Delay: “DR” option is 10 or 20 min. If you do not want a delay, place jumpers in first two spots. Alarm will sound immediately.

TIMER KEY DIAL SETTINGS

- The dialer connection is a switch for connecting a phone dialer (not provided). Use jumper to select the time delay after audible alarm for signaling the dialer. Jumper selects 15 or 30 min. Install both jumpers for “immediate” dialer - no delay. With no jumpers the unit will not dial for door open alarm, but will still dial for “Panic” signal.

DIAL CONNECTION TERMINALS

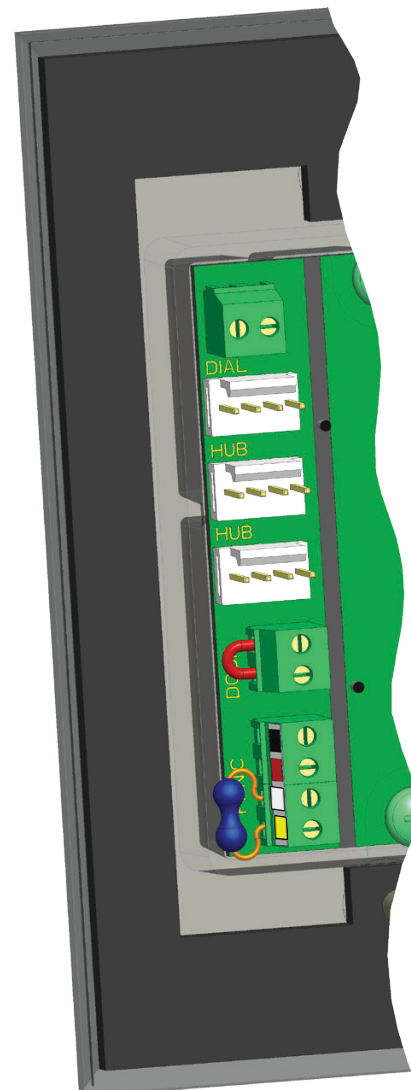
- When an entrapment event or door open alarm is triggered, an alarm system (not provided) can be connected. This is a normally closed (NC) circuit that when there is an alarm it can trigger a security system. Terminal marked “DIAL” allows security system connection. See Timer Key Dial Settings for delay control. Dial connection goes from (NC) to open circuit to trigger security system.

DOOR CONNECTION TERMINALS

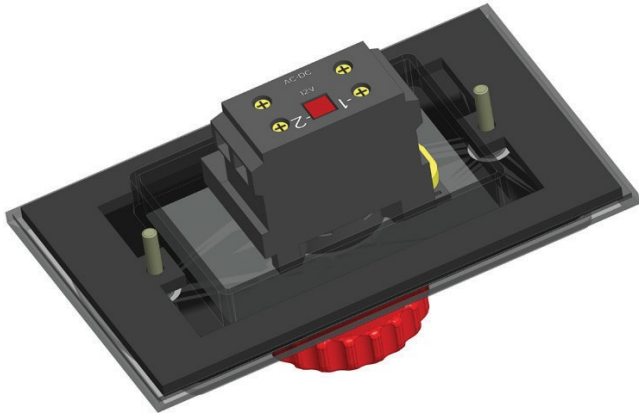
- Door sensor K1967CRH058 can be added (NC when door is closed)
- Remove jumper to ensure proper operation
- Sensor & Bracket provided
- For Flush Doors, Use Mount Sensor K119670000F8 (*NOT PROVIDED*)

PANIC BUTTON WITH ILLUMINATION TERMINAL

- Terminals (Red / Black) will constantly power (+12 VDC) the Panic button illumination. Red is (+) and Black is (-)
- Terminals (Green/Blue) connect to the Panic switch normally closed (NC) circuit connections



K1967-A57 Entrapment & Open Door Alarm



K11967CRH0A7 ILLUMINATED PANIC BUTTON (PRESS TO ALARM/TWIST TO RELEASE)

- Switch has terminals on the back that connect to the 4 color coded terminals on the Alarm Module. In the middle of the switch is the illumination section of the switch. Requires 12 V AC/DC. The Alarm Module provides 12 DC for this application. Polarity is not marked but the internal LED will switch to the polarity it needs. Illumination will work regardless of what terminal is connected to red or black coded terminal.
- The switch to the side of the illumination module is a normally closed (NC) circuit. The alarm module will detect an open circuit event. Press the button, loose connection or cut wire will sound the alarm. Terminals 1-2 need to be connected to the Green and Blue terminals on the alarm module (no polarity requirements).

AS024-1202000S AC ADAPTOR (12 VDC @ 2 AMP)

- 240 V AC 50/60 Hz
- 12 V output @ 2 A
- Barrel connector 2.0 mm ID x 5.5 mm OD x 9.5 mm
- Positive Center



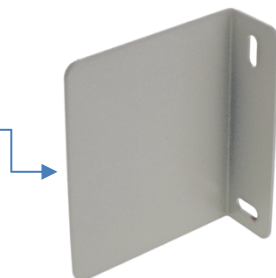
K11967CRHOS8 Surface Mount Door Sensor

Wire leads screw into "DOOR" terminal on alarm module. Remove the jumper wire for the door sensor to work properly

*Please Note: This item is an Optional Extra & **is included** in the standard kit.*

Operating Distance: Maximum of 15mm between Sensor Magnets

A706021 Door Sensor Bracket



K1967-A57 Entrapment & Open Door Alarm

K19670000946 POWER HARNESS (AC ADAPTER/BATTERY/HUB CONNECTOR)



- Connect to 12 VDC @ 2 A AC adapter to the alarm module through the HUB connection
 - Plug female HUB into male HUB on alarm module.
 - Connect battery

Note: DO NOT USE LITIUM ION BATTERY. Wrap battery in electrical tape so it doesn't short out back of PCB.

K1967-009 Single Utility Box



K119670000F8 Door Sensor (Flush Mount)



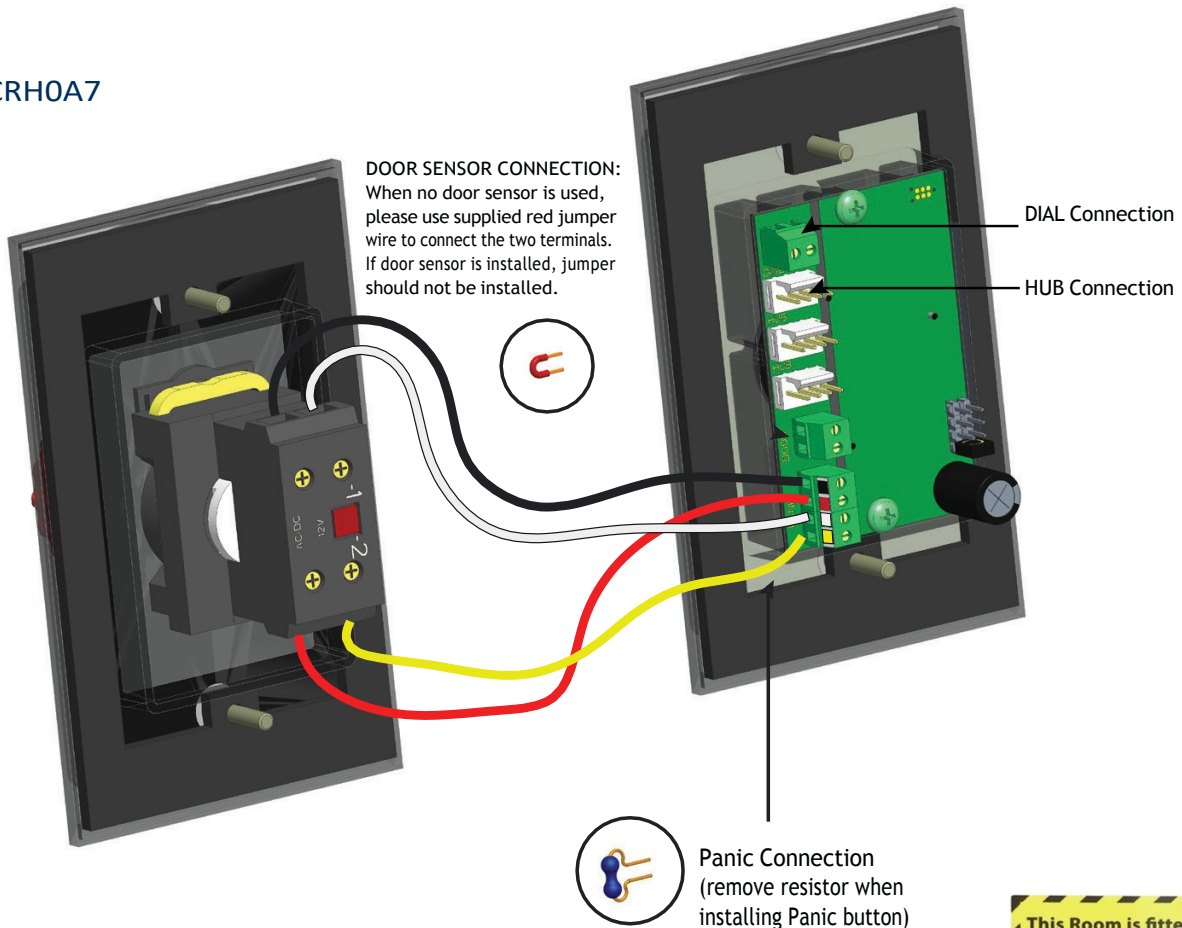
Wire leads screw into "DOOR" terminal on alarm module. Remove the jumper wire for the door sensor to work properly
*Please Note: This item is an Optional Extra & **Not included** in the standard kit, used for Flush Doors Only.*

K1967-A57 Entrapment Alarm & Open Door Alarm

K1967-A57 Entrapment Alarm - Wiring Diagram

K11967CRH0A7

K11967CRH0A5



ERRORS AND TROUBLE SHOOTING

- Power goes off and the unit does not work properly: replace dead battery
WARNING: DO NOT install 9 V lithium ion batteries
- Dialer/Security system doesn't detect door open alarm: make sure the jumpers are in the proper location and wire terminals are secure
- Unit starts beeping and LED flashes Red/Blue as soon as the power is connected: see that either the panic button is released/reset, a loose wire, or the resistor is in place (if panic button is not connected)
- Unit starts beeping and/or the LED's flash Red/Yellow: Make sure the door is closed. Check the jumpers to see if it's set to alarm as soon as the door is open. Check to see if red jumper wire is installed in the "DOOR" terminal (if door sensor is not connected)

