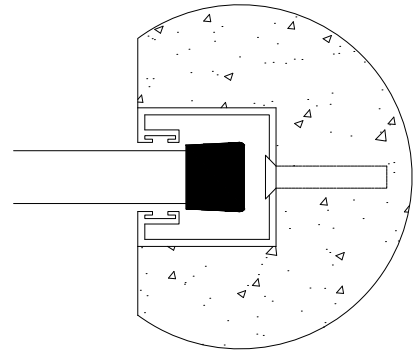
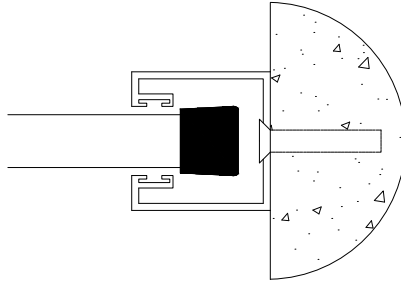
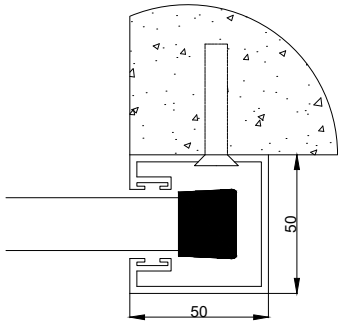


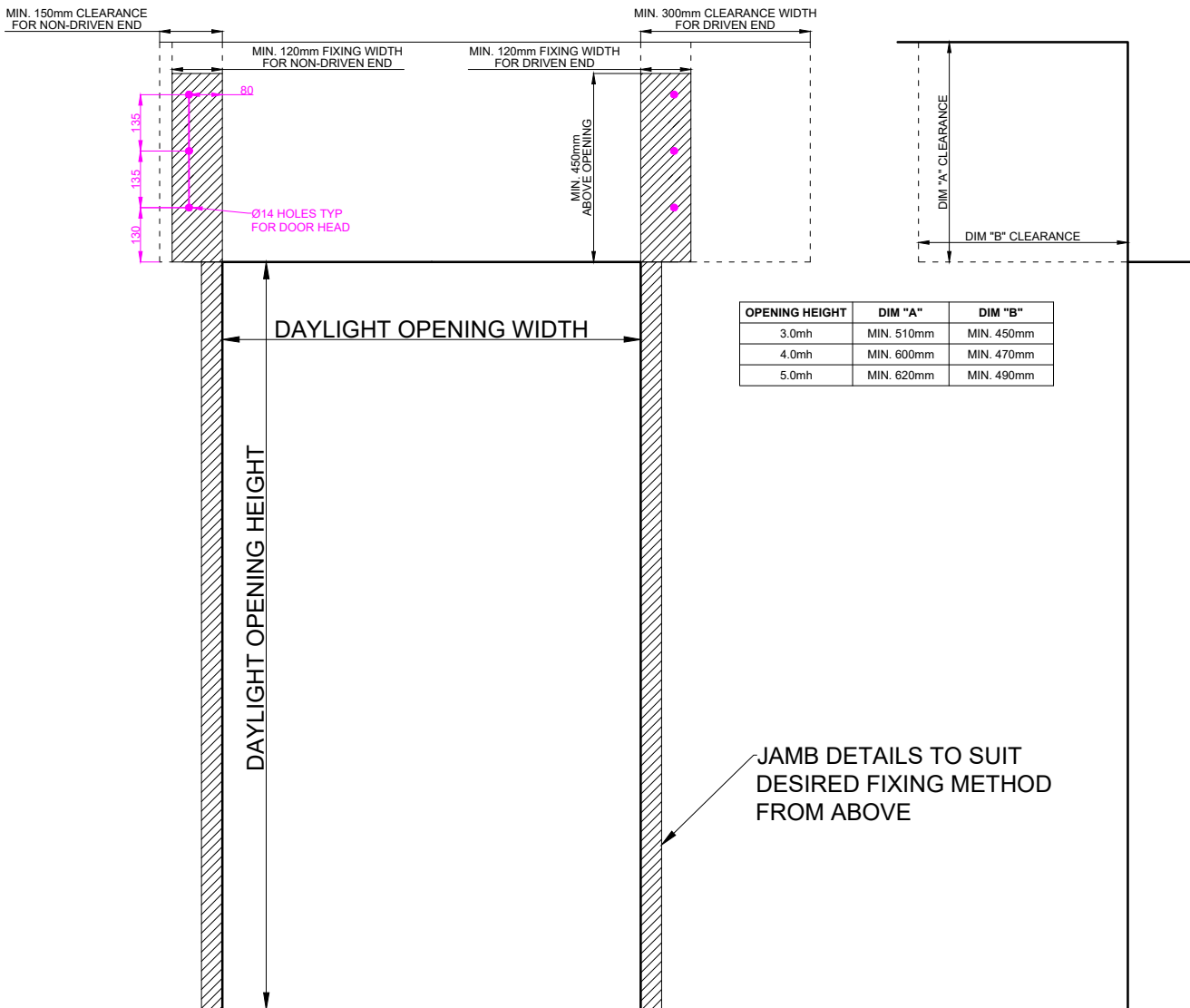
DURAGRILLE DOOR FIXINGS AND CLEARANCES



FACE FIX

HEEL FIX

RECESS FIX



FRONT VIEW (FROM INSIDE BUILDING)

SIDE VIEW

- All fixing surfaces must be flat and flush.
- All fixing and clearance dimensions shown are minimums. More is better.
- Main fastening points indicated. Installs to steel require clearance behind for bolt & nut fastenings.

ACEDOOR SYSTEMS 2013 LTD.
 DRAWN: JP
 DATE: 07SEP22
 VER: 01



THIS DRAWING IS PROPERTY OF ACEDOOR SYSTEMS 2013 LTD. AND IS INTENDED FOR INTERNAL USE ONLY. ACEDOOR SYSTEMS 2013 LTD. RESERVE THE RIGHT TO MODIFY ANY PART OF THIS DRAWING, OR THE INSTALLATION / SUPPLY OF THE DOOR ITSELF, AT ANY TIME, WITHOUT NOTICE.