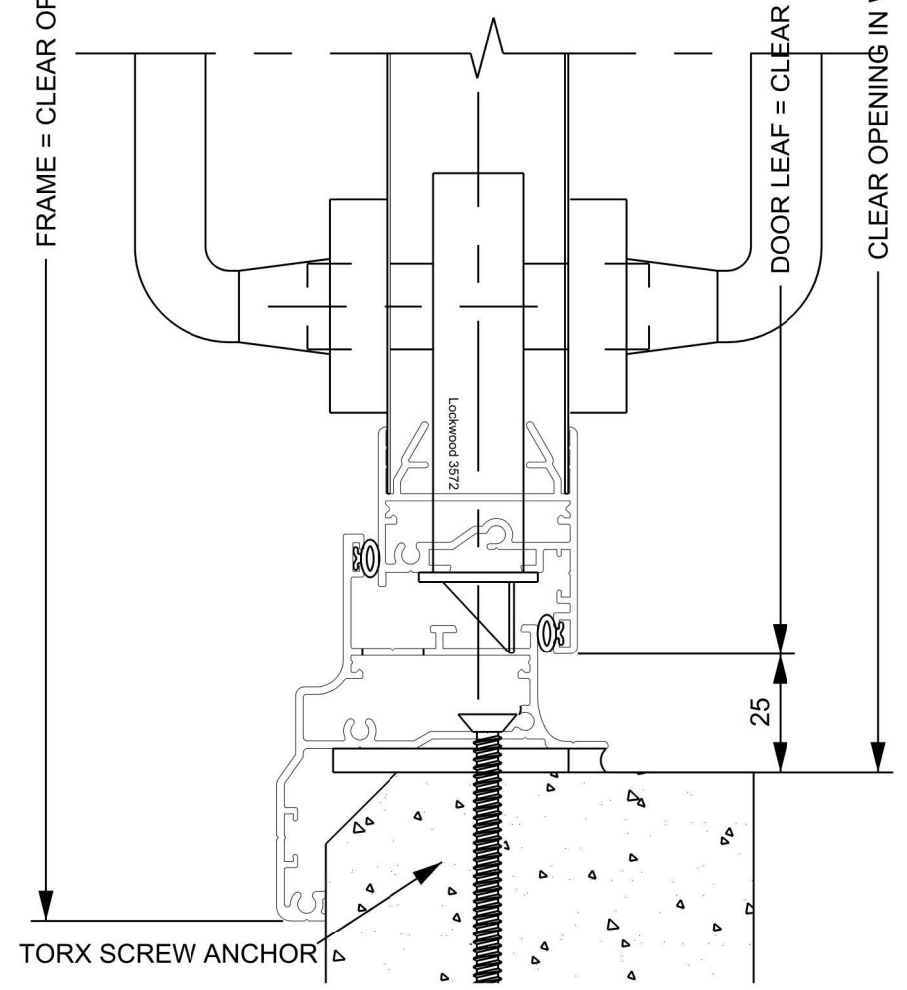
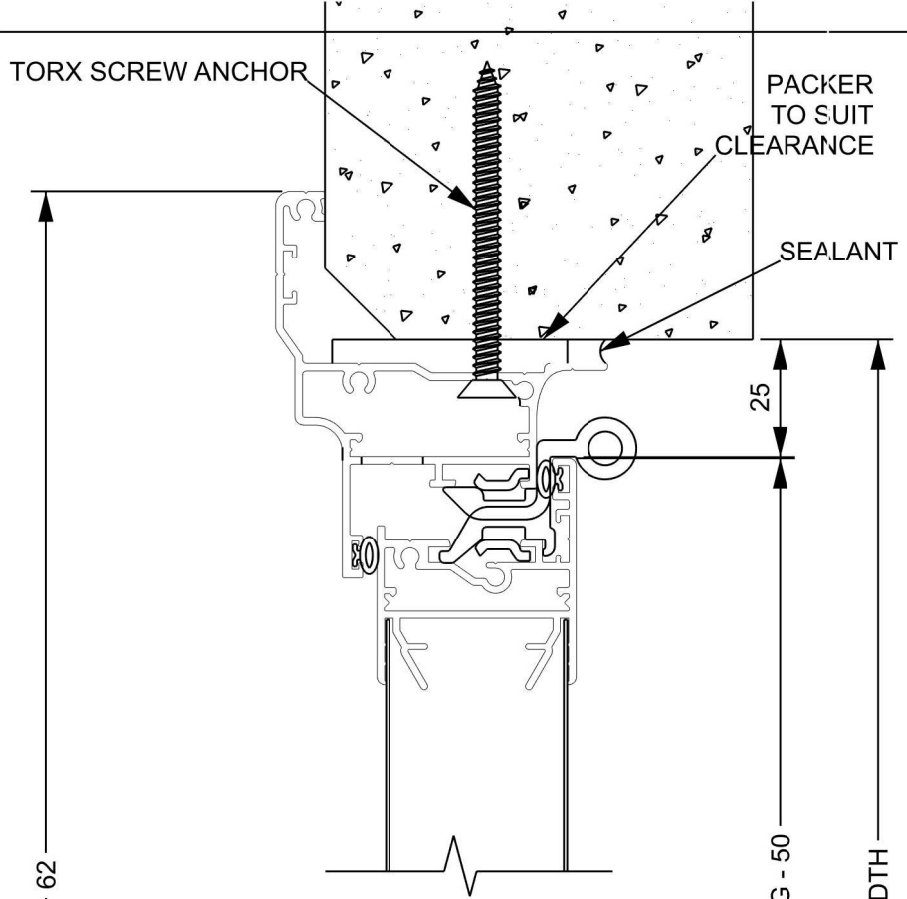


VIEW ON B-B
 Note!
 Detail View Rotated
 90° Anti Clockwise from
 arrows



FRAME = CLEAR OPENING + 62

DOOR LEAF = CLEAR OPENING - 50

CLEAR OPENING IN WALL WIDTH



DRAWN BY	WGP
DATE	23/05/2017
DRAWING	DD-009-01
REVISION	1
PRODUCT CODE	DH2009

DURADOOR MK2 OPEN IN PRECAST WALL- WIDTH FRAME SECTION

We reserve the right to alter specification without notice and without incurring obligation.