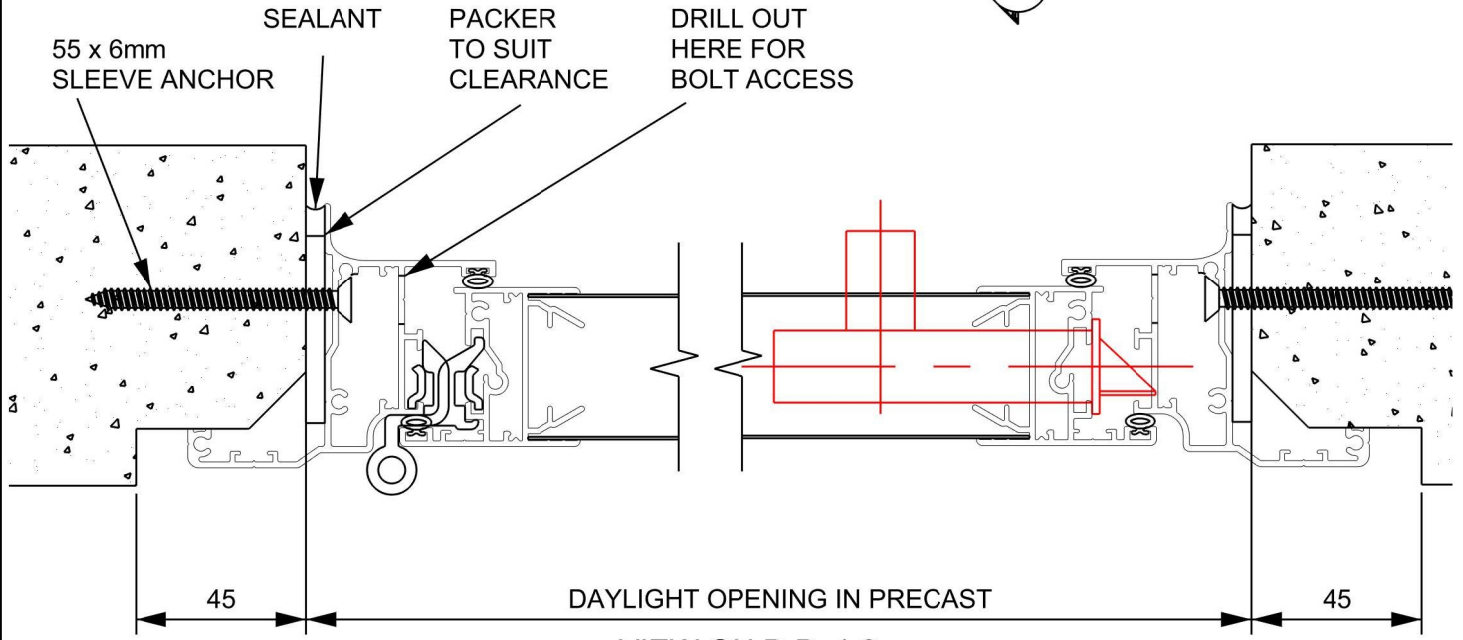
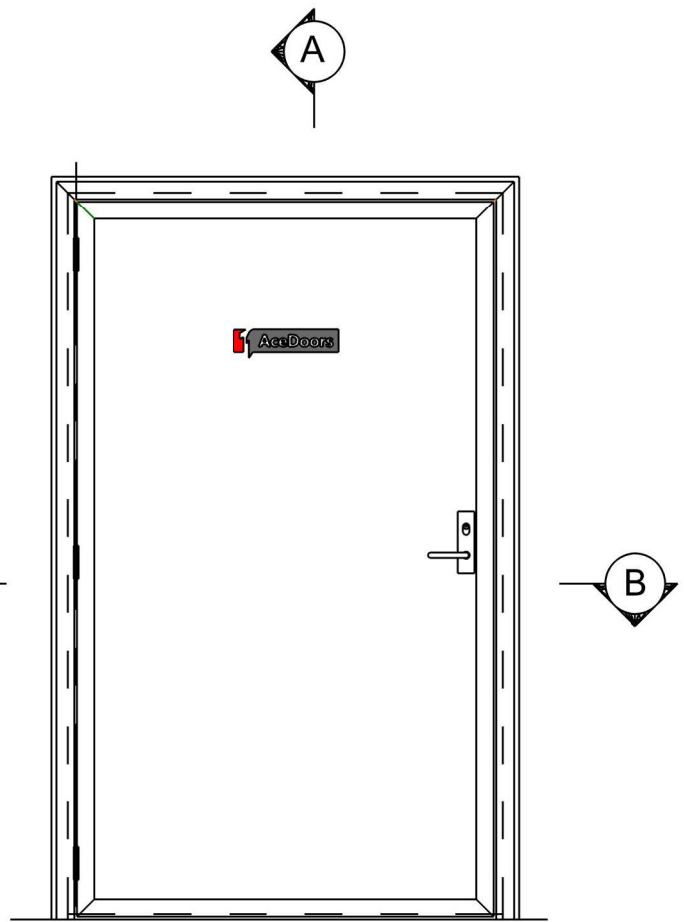


VIEW ON A-A 1;2



VIEW ON B-B 1;2



# DURADOOR MK2 OPEN OUT

## PRECAST WALL WITH SILL REBATE - DETAIL

DRAWN BY	WGP
DATE	23/05/2017
DRAWING	DD-008-01
REVISION	1
PRODUCT CODE	<b>DH2009</b>