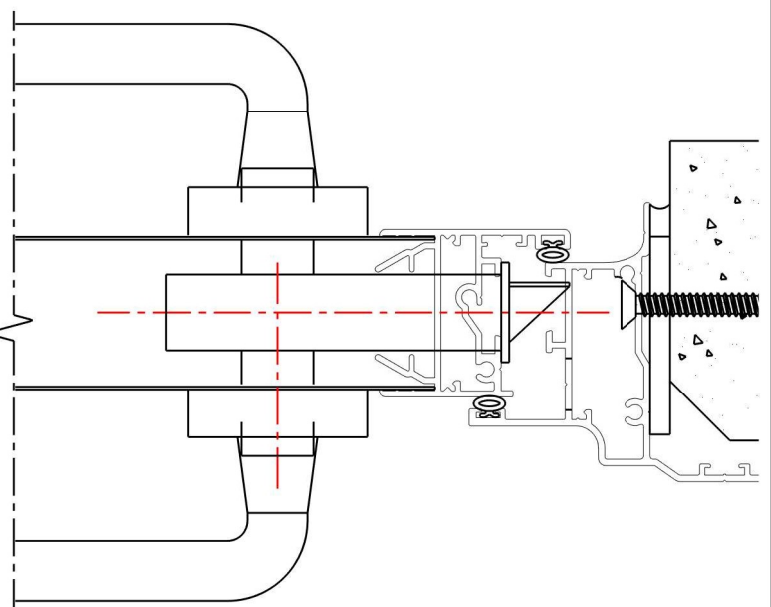
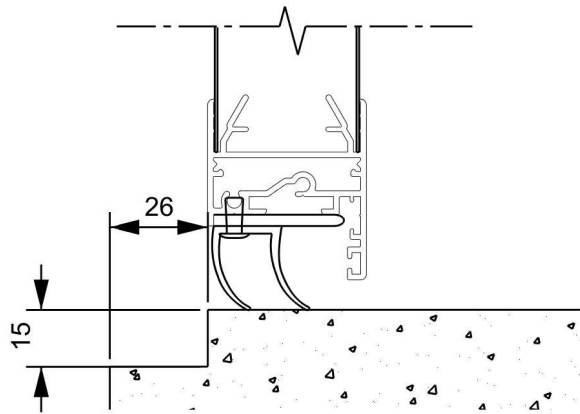


VIEW ON A-A



VIEW ON B-B



DRAWN BY	WGP
DATE	23/05/2017
DRAWING	DD-007-01
REVISION	1
PRODUCT CODE	DH

DURADOOR MK2 OPEN IN PRECAST WALL SILL REBATE DETAIL

We reserve the right to alter specification without notice and without incurring obligation.