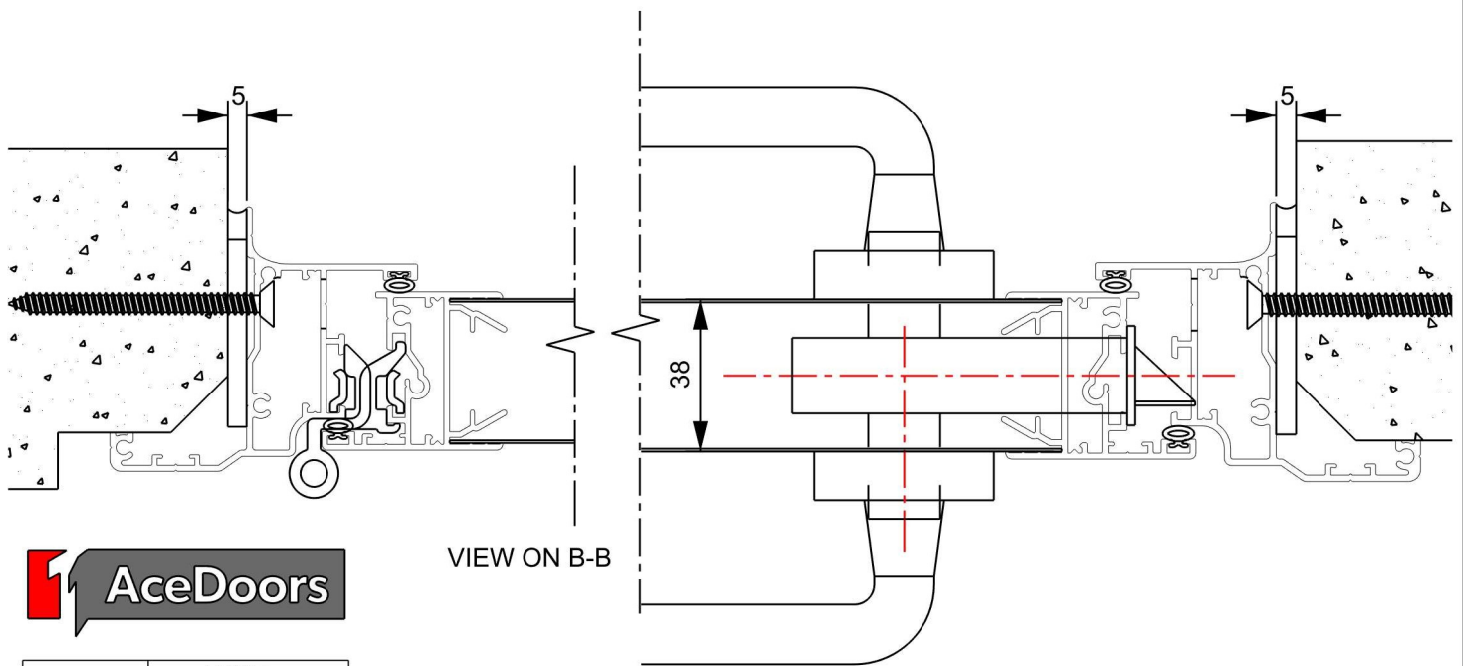
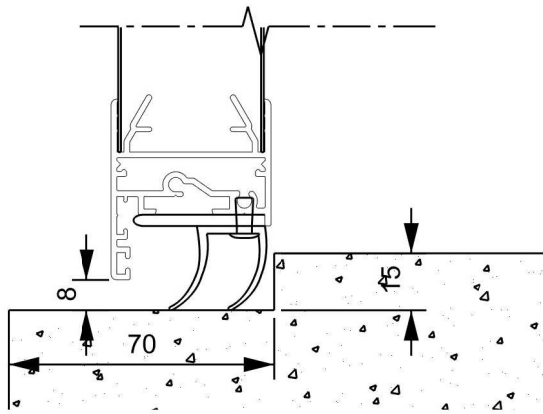


VIEW ON A-A



VIEW ON B-B



DRAWN BY	WGP
DATE	23/05/2017
DRAWING	DD-006-01
REVISION	1
PRODUCT CODE	<b>DH2009</b>

## DURADOOR MK2 OPEN OUT

### PRECAST WALL - HEIGHT & WIDTH FRAME DETAIL

We reserve the right to alter specification without notice and without incurring obligation.