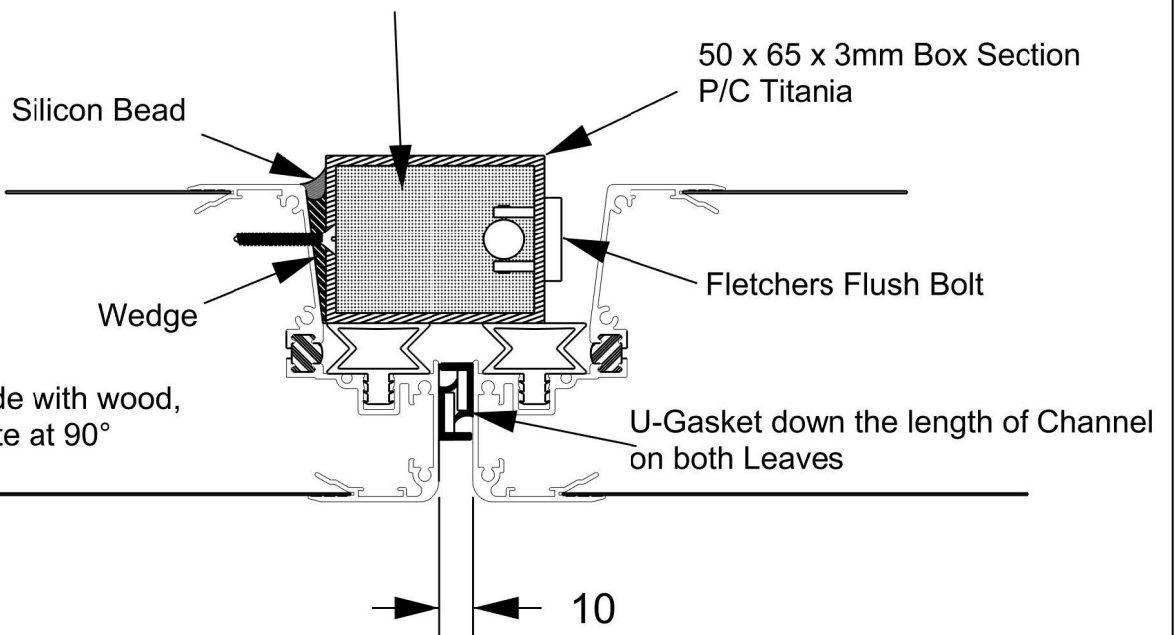


Center Rebate has 2 flush bolts  
 and is injected with polyurethane



Wedge may be made with wood,  
 and must hold rebate at 90°



DRAWN BY	WGP
DATE	22/05/2017
DRAWING	CC-002-01
REVISION	1
PRODUCT CODE	<b>TMH2008</b>

## COOLCLAD DOUBLE CENTER REBATE DETAIL