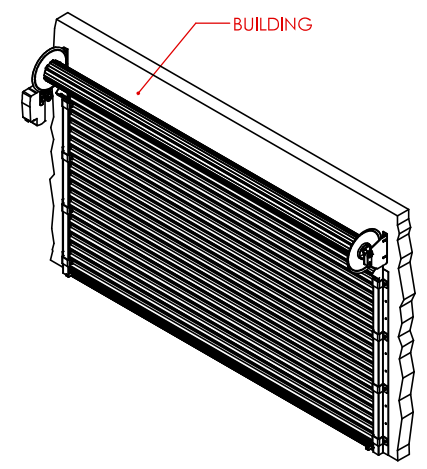
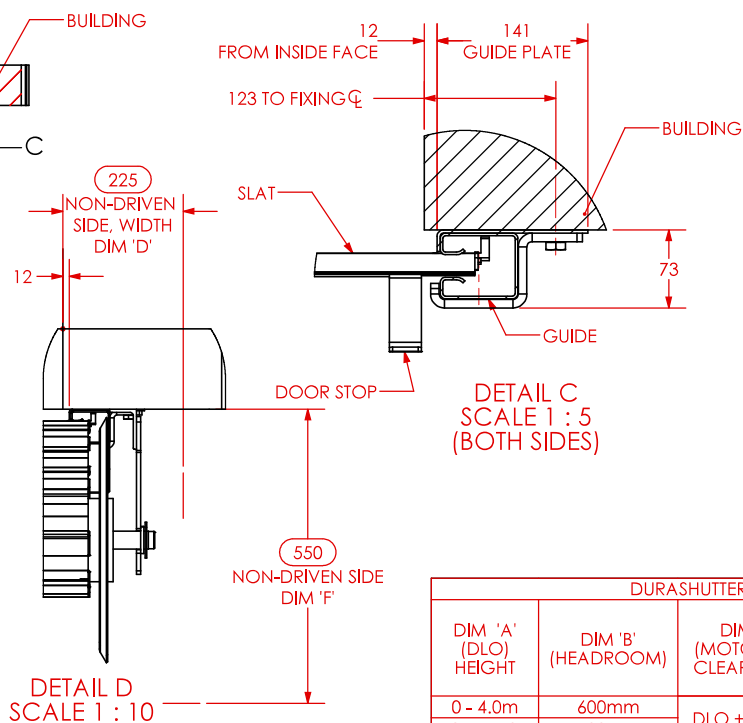
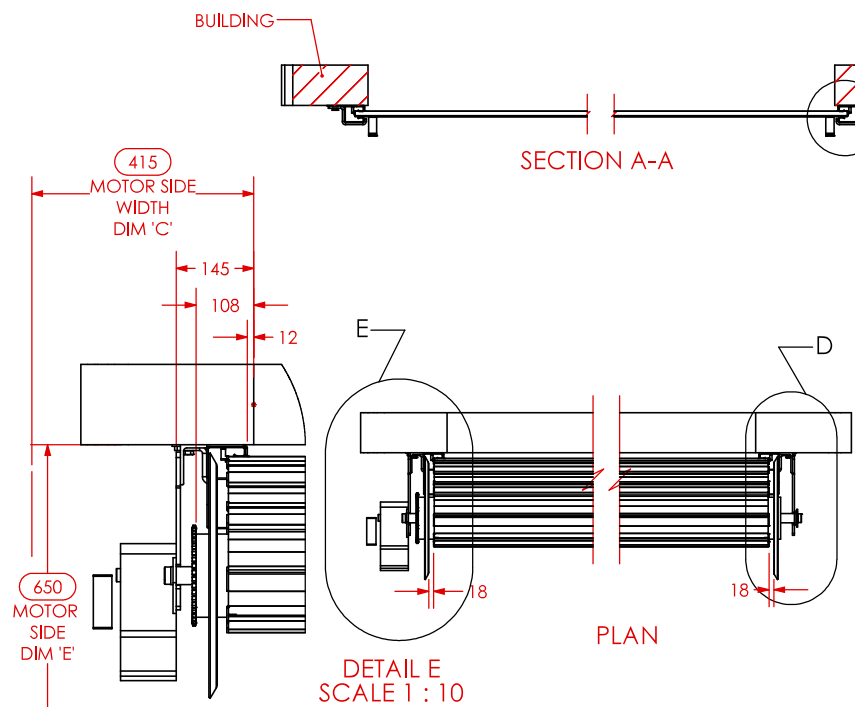


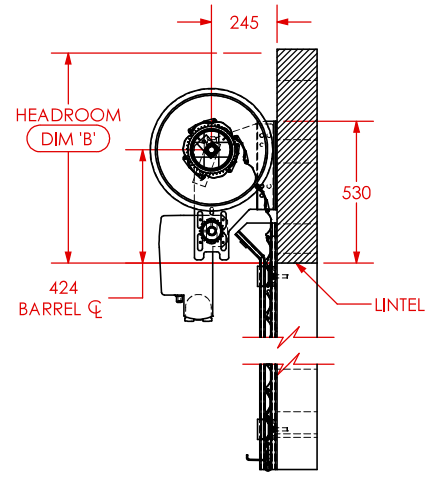
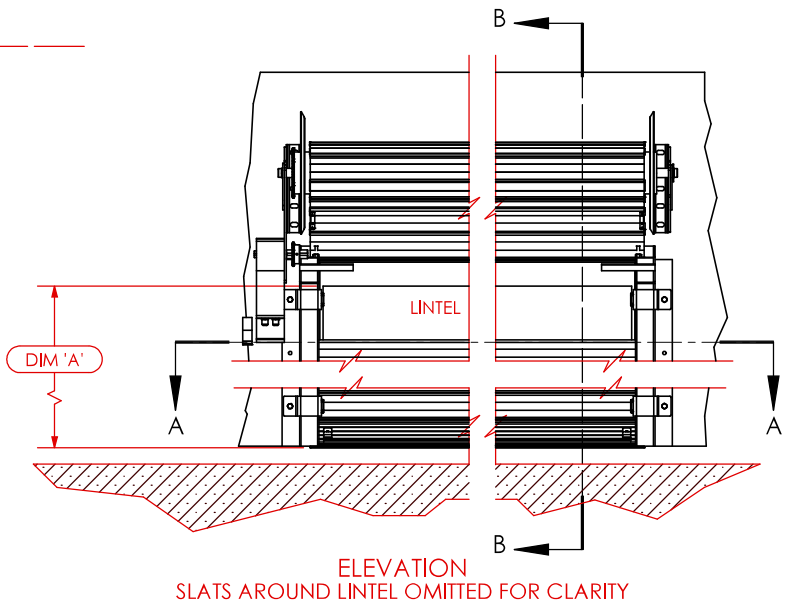
PROPRIETARY  
 THIS DRAWING CONTAINS CONFIDENTIAL INFORMATION  
 PROPRIETARY TO ACEDOORS. IT MUST NOT BE  
 REPRODUCED OR DISCLOSED TO OTHERS OR USED IN ANY  
 OTHER WAY, IN WHOLE OR IN PART EXCEPT AS AUTHORIZED  
 IN WRITING BY ACEDOORS/CADSERV.

REV		DESCRIPTION	REVISIONS		
DRAFT	DATE	APPROVED			
-	-	-	-	-	-



DIM 'A' (DLO) HEIGHT	DIM 'B' (HEADROOM)	DIM 'C' (MOTOR SIDE CLEARANCE)	DIM 'D' (NON-DRIVEN SIDE, CLEARANCE)	DIM 'E' (MOTOR SIDE PROJECTION)	DIM 'F' (NON-DRIVEN SIDE PROJECTION)
0 - 4.0m	600mm	DLO + 415mm	DLO + 225mm	650mm INSIDE	550mm INSIDE
4.0m - 7.0m	700mm				

NOTE:  
 1. REFER TO DURASHUTTER MK26 INSTALLATION DESIGN GUIDELINES FOR VERTICAL OVERCLIP SPACING.  
 2. ALL GUIDE FIXINGS M12.  
 3. MOTORISATION SHOWN IS INDICATIVE ONLY. ACTUAL MOTORISATION SUPPLIED WILL BE APPROPRIATE FOR THE DOOR OPENING SIZE AND OPERATIONAL REQUIREMENTS.



CHECK MICHAEL THOMAS	DATE 01/09/2020	DO NOT SCALE FROM DRAWING DIMENSIONS & TOLERANCES (UNLESS OTHERWISE SPECIFIED)	LINEAR	INCHES	mm
ENGINEERING MATTHEW NORRINGTON	DATE 01/09/2020		X.XXX	±.005	±0.03
EDWIN POTTS	DATE 01/09/2020		X.XX	±.01	±0.1
			X.X	±.03	±0.3
			±.06	±1	
			DEG.	±.5	±0.5
			FINISH	63	1.6

CADSERV AUCKLAND Design/Drafting/FEA 64 27 2232 597 CADSERV.CO.NZ		THIRD ANGLE PROJECTION
MATERIAL: AS COMPONENTS		
WEIGHT (Kg/s) AS COMPONENTS		

	64 9 273 4970 43a HOBILL AVE WIRI AUCKLAND NEW ZEALAND
	sales@acedoors.co.nz
TITLE DURASHUTTER-SPRUNG-MK26-INSTALLATION	NEXT ASSEMBLY UP A-000-000
SIZE A3	DRAWING NO. A-000-100_SPRUNG
SCALE 1:20	SHEET 1 OF 5

"ACEDOORS HAS A POLICY OF CONTINUOUS PRODUCT IMPROVEMENT; WE RESERVE THE RIGHT TO CHANGE DESIGN OR SPECIFICATIONS WITHOUT PRIOR NOTICE AND WITHOUT INCURRING OBLIGATION"