

NERGECO T STAR 2



TECHNICAL DATA

MAXIMUM SIZE

6.000 mm W x 6.000 mm H

SPEED (standard door, depending on curtain dimensions)

Opening: up to 0,8 m/s
Closing: up to 0,8 m/s

CURTAIN

670 g/m² PVC. Stiffeners every 620 mm
Optional: insulated double skin curtain (U = 4,08 W/m².K)

STRUCTURE

Self-Supporting Steel Structure in 3 mm thick structural multifold steel shape, treated with a PP primer and a PU coloured finish.

ENGINE

Three-phase engine from 1,1 to 3,0 kW (depending on size and selected options)
Protected under a PUR cover, access from the side

CONTROL BOX

Electronic Nergeco PCB control panel, optional Crouzet PLC. Distance panel up to 2 m, optionally longer. Polyester IP65 rounded Nergeco control box or IP66 500 x 400 mm, depending on configuration. Optional box 500 x 400 in steel IP66 or stainless steel IP67

SAFETY

Intelligent Curtain® with spiral cable, optional wireless transmission and 1 set of transversal photocells, MOFT/MOFR IP67 at 280 mmH
Optional without Intelligent Curtain®:
Inside EU: 4 sets of photocells - speed 0,5 m/s
Outside EU: 2 sets of photocells - speed 0,8 m/s

POWERLESS OPENING

Ratchet. Optional: Crank handle - Manual or automatic counterbalance weight - Inverter + UPS

ACTIVATORS

Push buttons (option wireless) - pull cords (option wireless or on bracket) - magic switch - radar - radio transmitter/receiver - induction loop - detection photocells

POWER

400V three-phase - 50 Hz - differential circuit breaker 300 mA
Optional: 230V three-phase - 50Hz / 230V single-phase - 50 Hz (with frequency drive) / 440V three-phase / 60 HZ frequency

CURTAIN COLOURS (similar to - colour sample on demand)

	YELLOW RAL 1021		BROWN RAL 8017
	ORANGE RAL 2008		WHITE RAL 9010
	RED RAL 3002		BEIGE RAL 1014
	DARK BLUE RAL 5010		LIGHT BLUE RAL 5015
	DARK GREEN RAL 6026		LIGHT GREEN RAL 6018
	DUST GREY RAL 7037		

WINDOWS

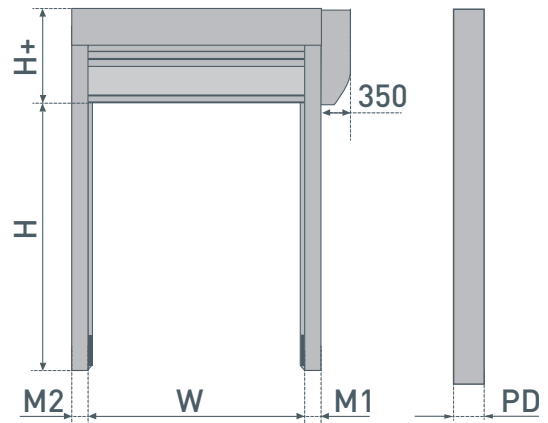
Option: Panoramic transparent windows: 1 row / 2 rows / fully transparent

STRUCTURE COLOUR

	YELLOW RAL 1021		BROWN RAL 8017
	ORANGE RAL 2008		WHITE RAL 9010
	RED RAL 3002		BEIGE RAL 1014
	DARK BLUE RAL 5010		LIGHT BLUE RAL 5015
	DARK GREEN RAL 6026		LIGHT GREEN RAL 6018
	DUST GREY RAL 7037		

OTHER

Wind resistance up to class 5 (depending on dimensions)



LAYOUT DIMENSIONS

Height H+ to be added to the free height H in mm.

H	1.500	2.000	2.500	3.000	3.500	4.000	4.500	5.000	5.500	6.000
W up to 2.000	810	860	910	960	1.010	1.110	1.160	1.210	1.260	1.310
W up to 2.500	810	860	910	960	1.010	1.110	1.160	1.210	1.510	1.560
W up to 4.000	810	860	910	960	1.010	1.110	1.410	1.460	1.510	1.560
W up to 6.000	1.060	1.110	1.160	1.210	1.260	1.360	1.410	1.460	1.510	1.560

Width of uprights with a standard ratchet key or optional winch.

M1 M2	150	150	150	150	150	150	150	150	150	150
M1 M2	150	150	150	150	150	150	150	150	150	150

Width of uprights with optional manual pull-cord or automatic counterweight.

M1 motor side	150	150	150	150	150	150	150	150	150	150
M1 motor side	150	150	150	150	150	150	150	150	150	150
M2 C.W. side	350	350	350	350	350	350	350	350	350	350

© Entrematic Group AB - 2018

Entrematic offers a comprehensive range of products for industrial, commercial, institutional and residential applications, including sectional doors, loading dock equipment, high-performance doors, residential garage doors, pedestrian doors, gates and barriers, and automation and operators. Built on nearly 200 years of accumulated expertise, Entrematic aims to be the most dynamic, innovative company in the entrance automation industry, and the best partner for dealers and installers. Our well-known brands include Normstahl, Dynaco, Ditec, EM and Nergeco.

Entrematic, Amarr, Kelly, Serco, Normstahl, Dynaco, Ditec, EM and Nergeco, as words and logotypes, are examples of trademarks owned by Entrematic Group AB or companies within the Entrematic Group.

The Nergeco products are protected by worldwide registered patents. As part of its policy of continuous product development, Entrematic Group NV reserves the right to change the characteristics of its products or components without prior notice.

Disclaimers:

For a correct use of our products, please refer to our manual.

Everything that is mentioned in this brochure is only valid under the terms of use in the user manual and on condition that the door was properly installed and maintained and has not undergone abuse nor neglect.

NERGECO DEALER



AceDoor Systems 2013 Ltd

A: 43a Hobill Ave, Wiri

Auckland, 2104

P: 09 273 4970

E: sales@acedoors.co.nz

W: www.acedoors.co.nz

ENTREMATIC BELGIUM NV

Waverstraat 21

B-9310 Moorsel-Aalst (Belgium)

Tel. +32 53 72 98 98

Fax. +32 53 72 98 50

info.nergeco.eu@entrematic.com

www.nergeco.com

